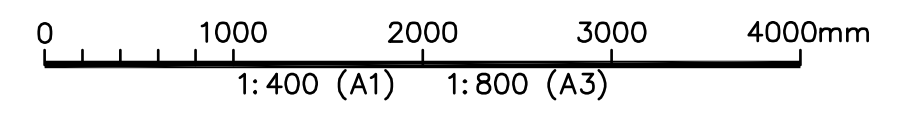
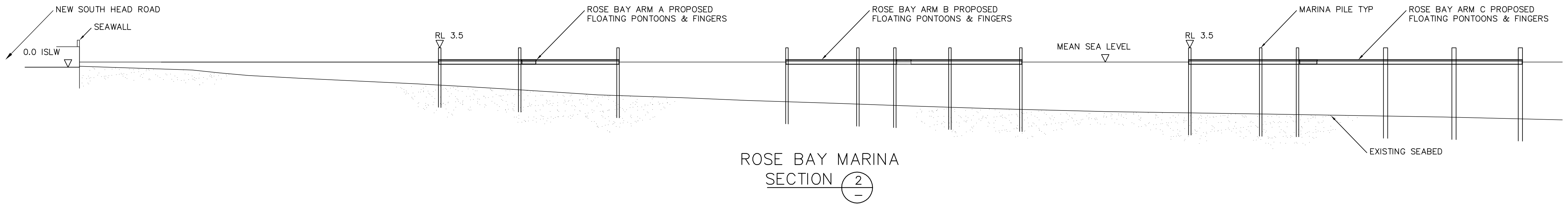
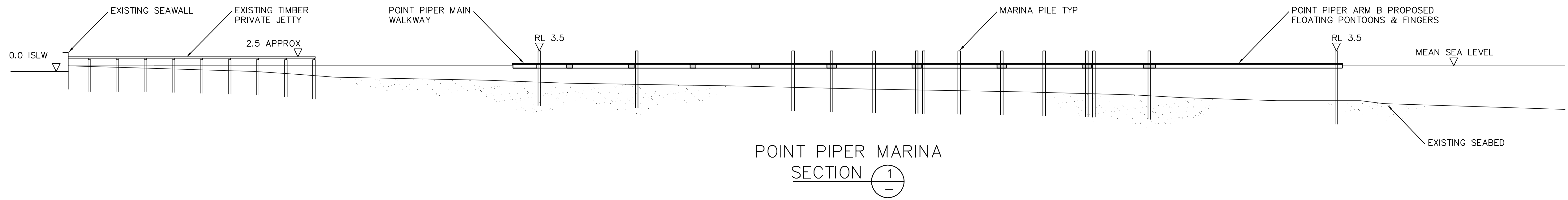


KEY PLAN

NOTES

1. ALL LEVELS TO ZERO ON THE FORT DENISON TIDE GAUGE WHICH IS APPROXIMATELY 0.93m BELOW AUSTRALIAN HEIGHT DATUM (AHD).
2. VESSELS NOT SHOWN FOR CLARITY.



DRG STATUS : PRELIMINARY, NOT FOR CONSTRUCTION

Issue	Details of Issue	Des'd	Drn	Chk'd	Approved	Date
A	ISSUED WITH EIS SUBMISSION	HDR	VIP	GWB		26.10.06

INITIALS SHOWN IN THE ADJACENT ISSUE RECORDS INDICATE THE STAGES UNDERTAKEN IN THE DRAWING APPROVAL PROCESS. DRAWINGS ARE ONLY TO BE USED WHEN APPROVED BY PATTERSON BRITTON & PARTNERS AND THEN ONLY AS NOTED FOR DRG STATUS. THE ORIGINAL SIGNATURES CAN BE FOUND ON THE REVERSE SIDE OF THE ORIGINAL OF THE DRG REGISTER/TRANSMITTAL FORM No.5.2.2. HELD BY PATTERSON BRITTON & PARTNERS

level 4  
104 Mount Street  
North Sydney 2060  
**Patterson Britton & Partners Pty Ltd**  
consulting engineers  
telephone (02) 9957 1619  
facsimile (02) 9957 1291  
email [reception@patbrit.com.au](mailto:reception@patbrit.com.au)  
A.C.N. 003 220 228

Client  
**ADDENBROOKE PTY LTD**  
Project  
**ROSE BAY AND POINT PIPER MARINA REDEVELOPMENT**

Title  
**ROSE BAY AND POINT PIPER MARINA REDEVELOPMENT MARINA SECTIONS**

Drawing No.  
**5635-112**  
Issue  
**A**  
Cad File No.  
Xref.(s)