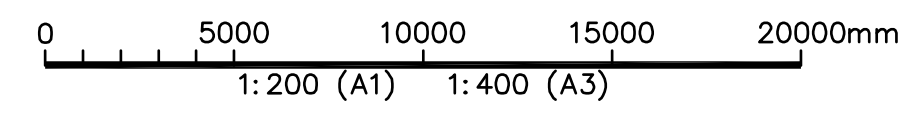
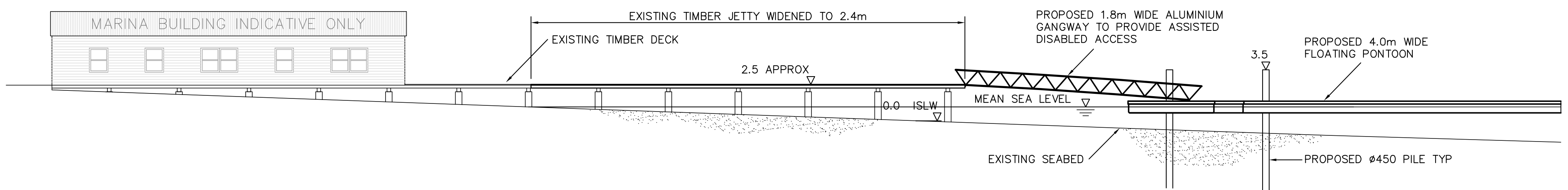
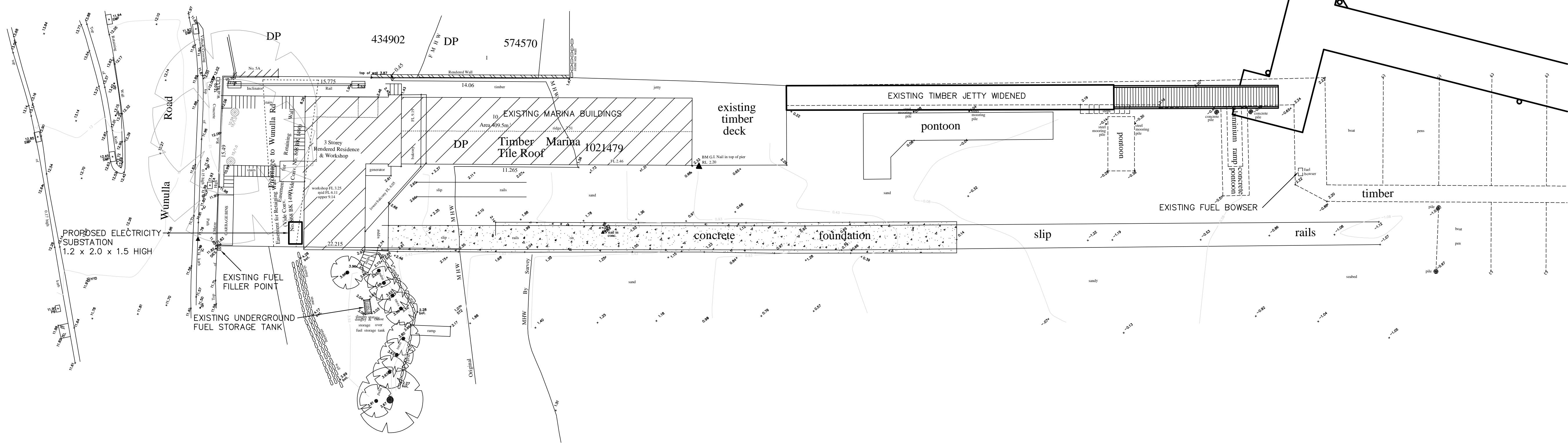


NOTES
 1. ALL LEVELS TO ZERO ON THE FORT DENISON TIDE GAUGE WHICH IS APPROXIMATELY 0.93m BELOW AUSTRALIAN HEIGHT DATUM (AHD).
 2. SERVICES NOT SHOWN.



DRG STATUS : PRELIMINARY, NOT FOR CONSTRUCTION

Issue	Details of Issue	Des'd	Drn	Chk'd	Approved	Date
A	ISSUED WITH EIS SUBMISSION	HDR	VIP	GWB		26.10.06

INITIALS SHOWN IN THE ADJACENT ISSUE RECORDS INDICATE THE STAGES UNDERTAKEN IN THE DRAWING APPROVAL PROCESS. DRAWINGS ARE ONLY TO BE USED WHEN APPROVED BY PATTERSON BRITTON & PARTNERS AND THEN ONLY AS NOTED FOR DRG STATUS. THE ORIGINAL SIGNATURES CAN BE FOUND ON THE REVERSE SIDE OF THE ORIGINAL OF THE DRG REGISTER/TRANSMITTAL FORM No.5.2.2. HELD BY PATTERSON BRITTON & PARTNERS

level 4
 104 Mount Street
 North Sydney 2060
Patterson Britton & Partners Pty Ltd
 consulting engineers
 telephone (02) 9957 1619
 facsimile (02) 9957 1291
 email reception@patbrit.com.au
 A.C.N. 003 220 228

Client
ADDENBROOKE PTY LTD
 Project
ROSE BAY AND POINT PIPER MARINA REDEVELOPMENT

Title
POINT PIPER MARINA PLAN AND ELEVATION

Drawing No.
5635-111
 Issue
A
 Cad File No.
 Xref.(s)